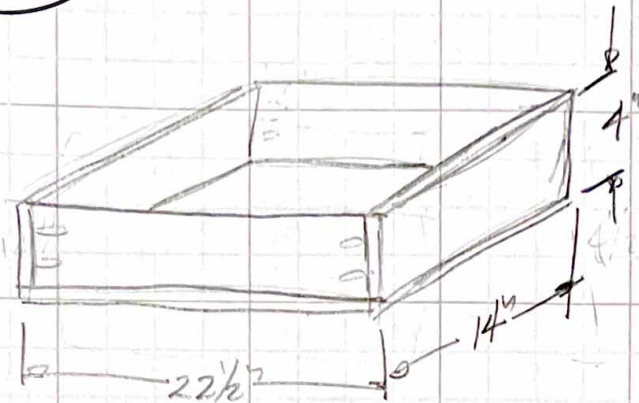


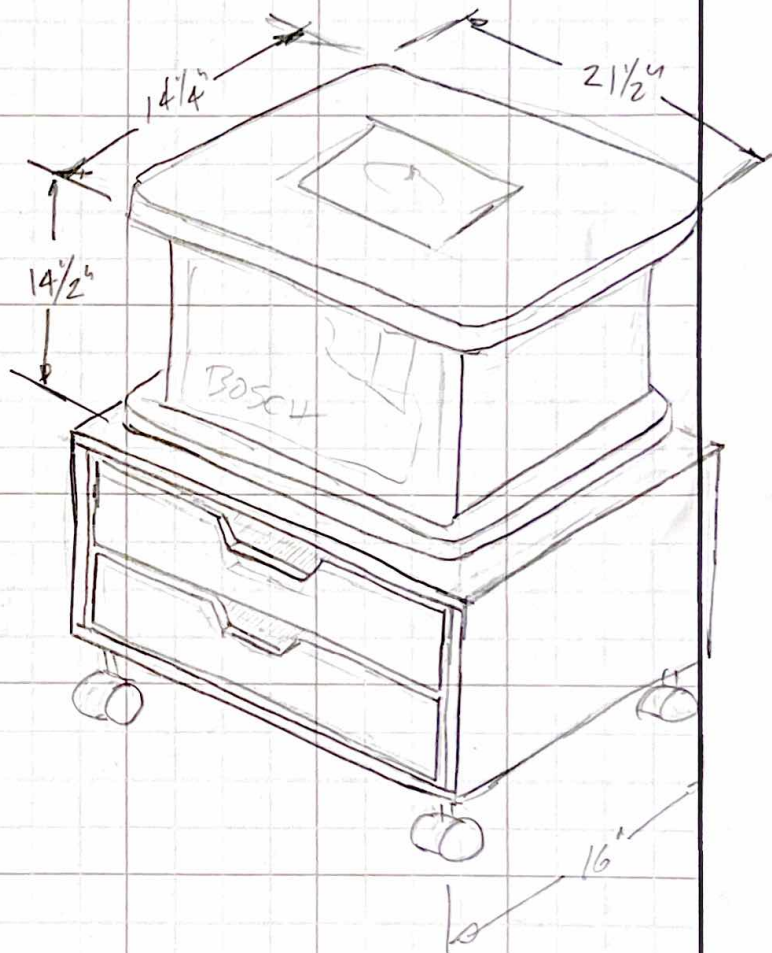
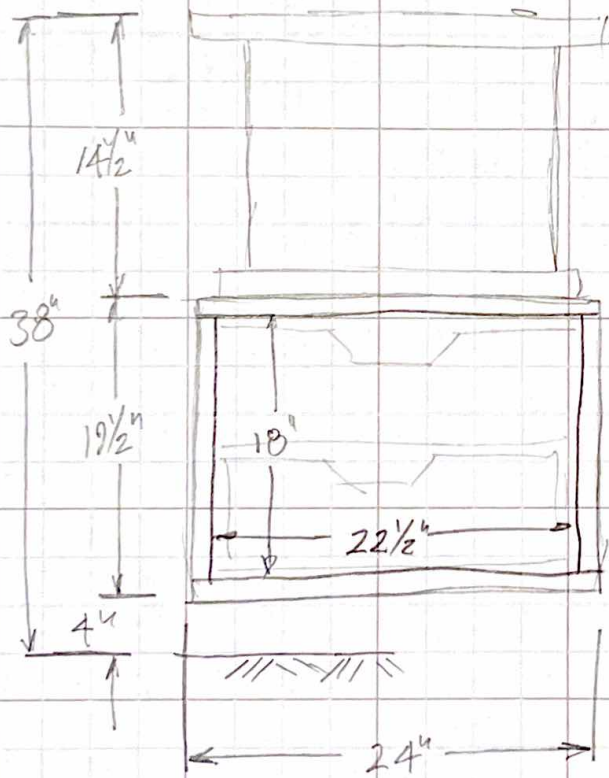


Project: Router Table Cart

Date: 9/18/2021 Page: of



F4B: $21\frac{1}{2}'' \times 4'' \times \frac{1}{2}''$
 Sides: $14'' \times 4'' \times \frac{1}{2}''$
 Bottom: $22\frac{1}{2}'' \times 14'' \times \frac{1}{4}''$
 Fronts: $22\frac{1}{4}'' \times 8\frac{3}{4}'' \times \frac{3}{4}''$



T4B: $24'' \times 16'' \times \frac{3}{4}''$
 Sides: $18'' \times 16'' \times \frac{3}{4}''$
 Back: $24'' \times 19\frac{1}{2}'' \times \frac{1}{4}''$

$\$16.92$ hd
 14" Soft Close Drawer Slides: $\$12.27$ ea/pr.
 Kreg 1" - #8 Pocket Hole Screws $\$4.78$ case
 Kreg 720 Pro $\$150.00$